

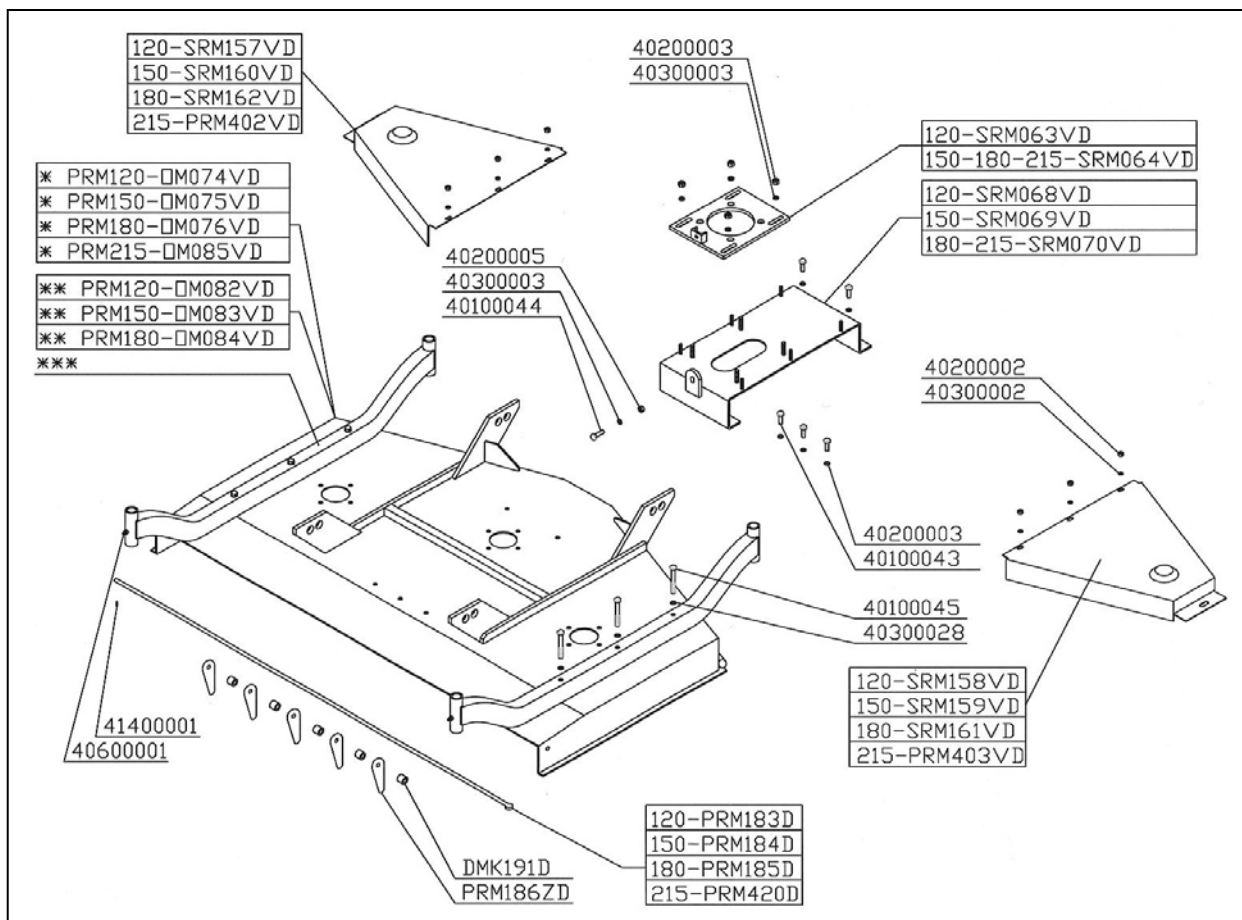


Del Morino srl , v.Caroni di Sotto 19,
I-52033 Caprese Michelangelo AR Italy
Ph: +39-575-791059 Fax: +39-575-791210
E.mail: export@del-morino.it
<http://www.del-morino.it>

SPARE PARTS & OPTIONS

FM / PRM
XFM / XRM
Omega

120-150-180-215 MOWERS FRAME COMPONENTS



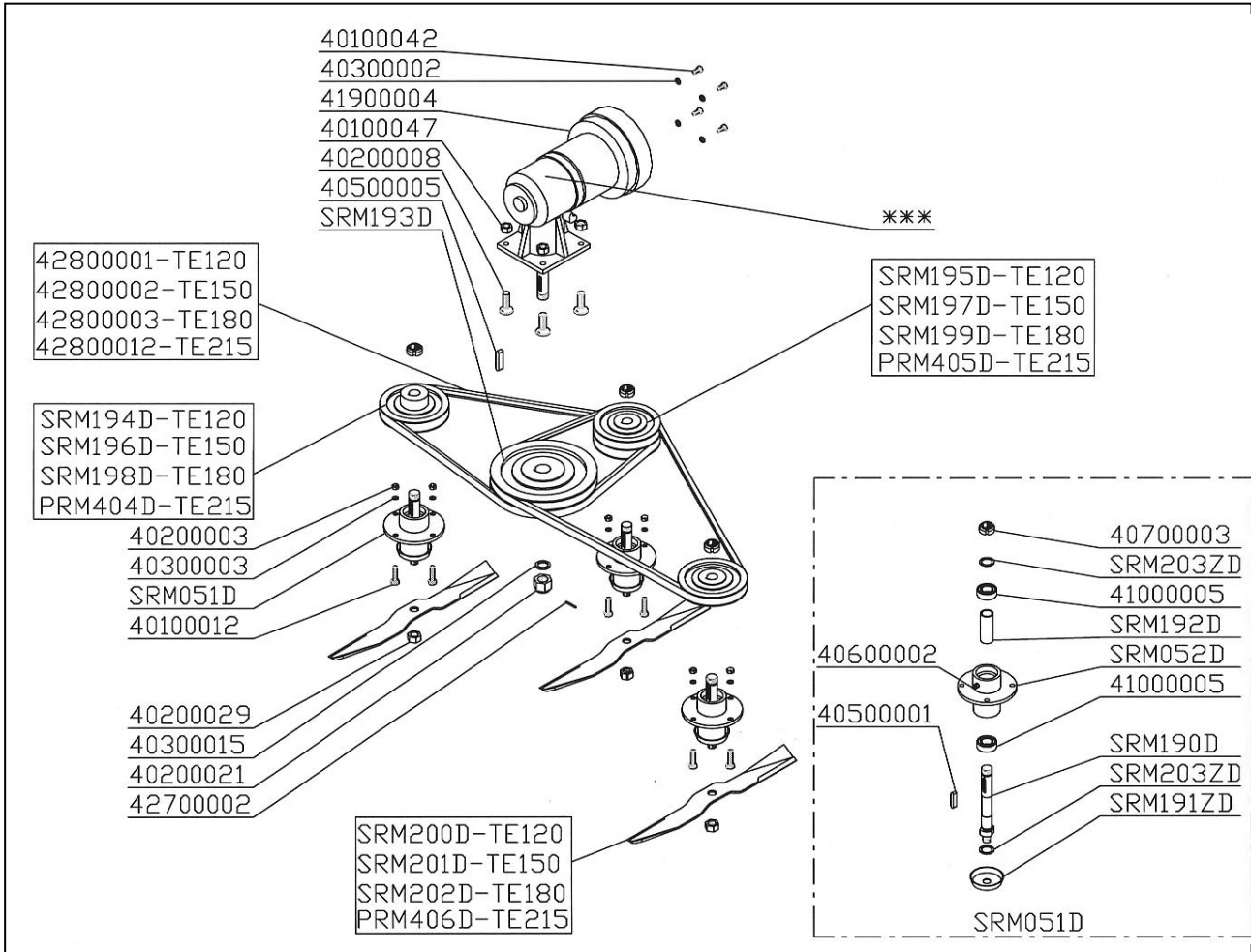
* : Left and right mowers.

** : Rear mower.

- ***- WHEEL BRACKET/WHEEL JOINT						
	Rubber wheel Ø 210		Rubber wheel Ø 310		Pneumatic wheel Ø 330	
Mower type	Wheel code	Bracket code	Wheel code	Bracket code	Wheel code	Bracket code
120	SRM071D	PRM063VD	SRM116D	PRM075VD	SRM115D	PRM075VD
150	SRM071D	PRM065VD	SRM116D	PRM076VD	SRM115D	PRM076VD
180	SRM071D	PRM064VD	SRM116D	PRM077VD	SRM115D	PRM077VD
215	SRM071D	PRM064VD	SRM116D	PRM077VD	SRM115D	PRM077VD
Standard	X					
Option			X		X	

NOTE : For wheels spare parts see page 28.

120-150-180-215 MOWERS TRANSMISSION

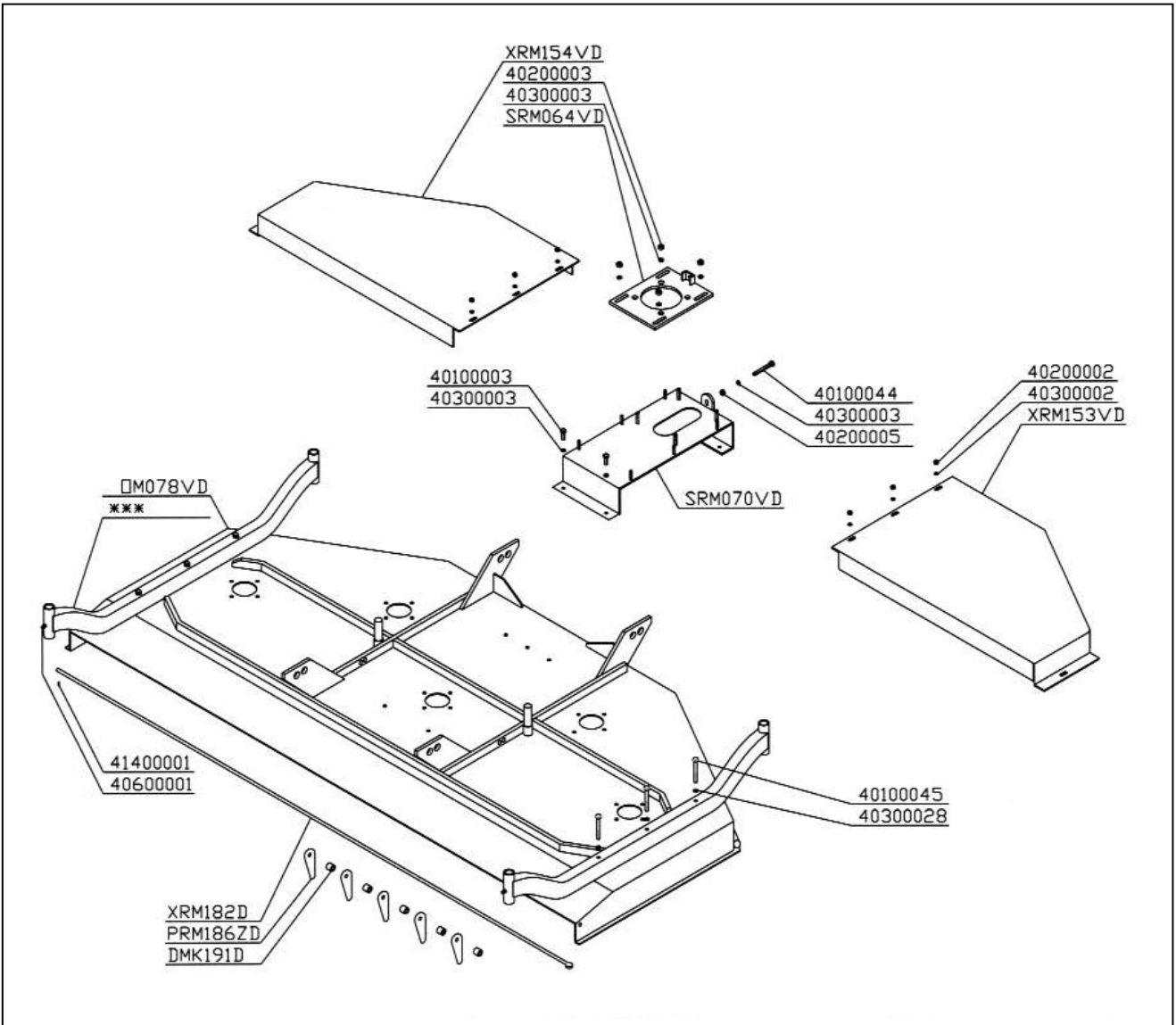


*** :

Left mower uses gear box code 42000010.

Right mower uses gear box code 42000006.

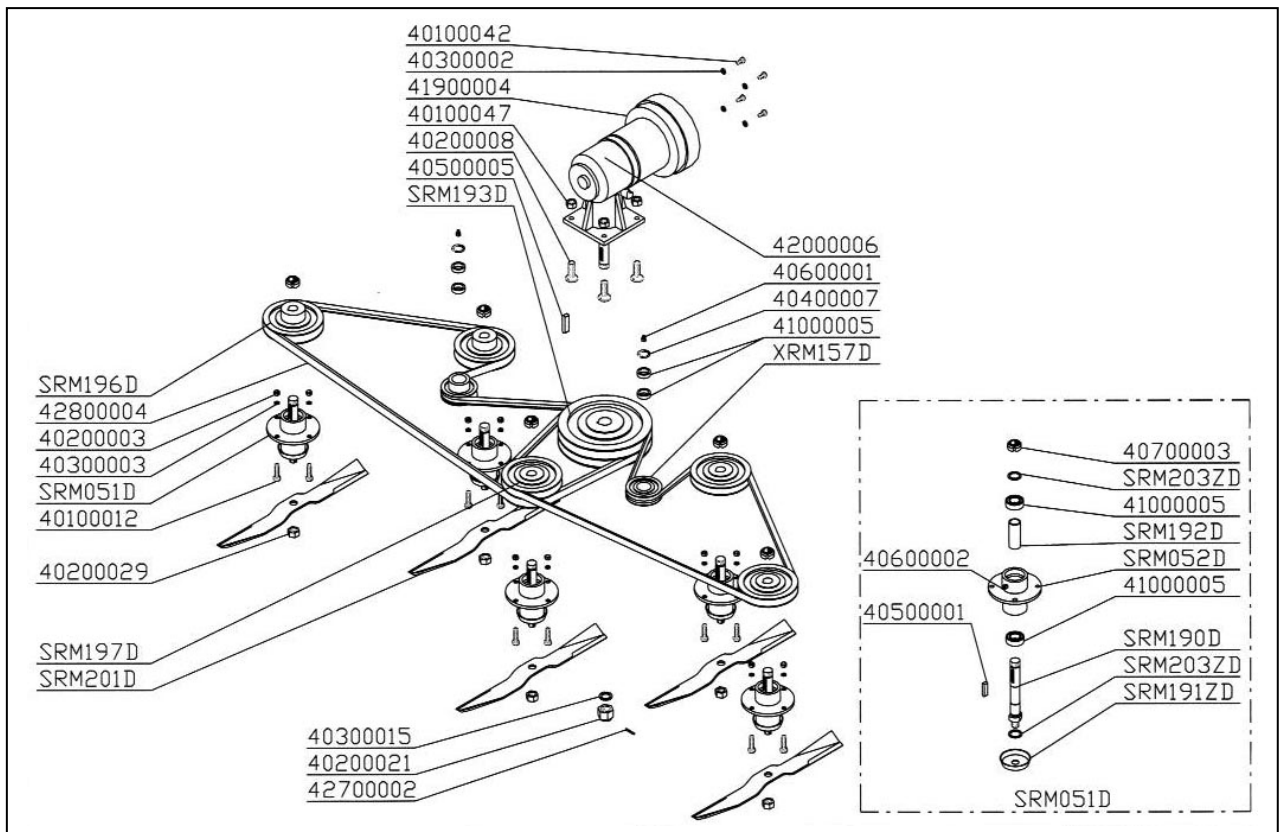
235 MOWER FRAME COMPONENTS



- ***- WHEEL BRACKET/WHEEL JOINT						
	Rubber wheel Ø 210		Rubber wheel Ø 310		Pneumatic wheel Ø 330	
Mower type	Wheel code	Bracket code	Wheel code	Bracket code	Wheel code	Bracket code
235	SRM071D	PRM065VD	SRM116D	XRM057VD	SRM115D	XRM057VD
Standard	X					
Option			X			X

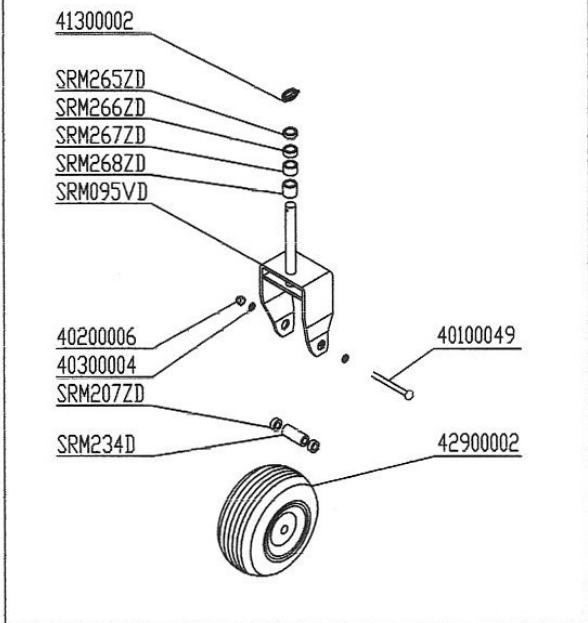
NOTE : For wheel spare parts see page 28.

235 MOWER TRANSMISSION

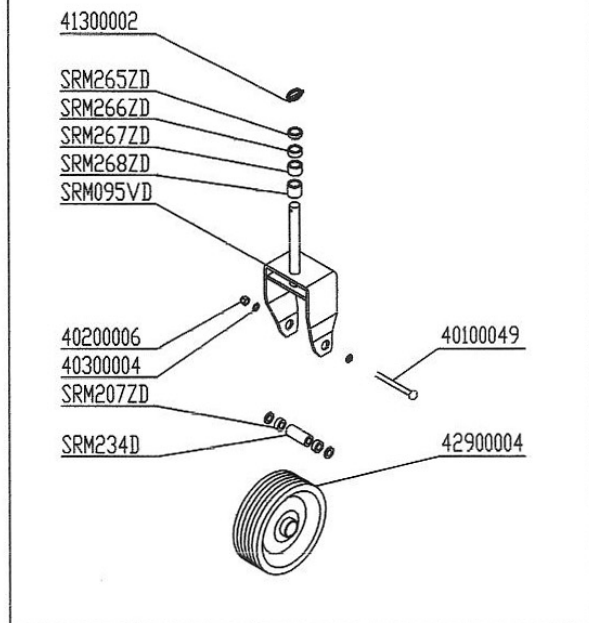


WHEELS AND FRONT ROLL SPARE PARTS

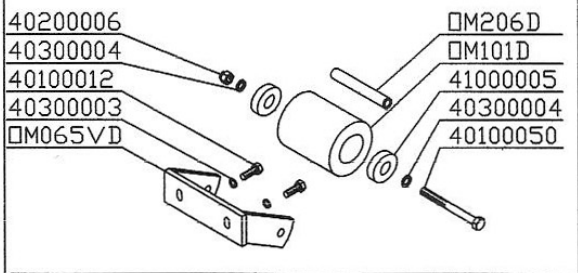
∅330 - SRM115D



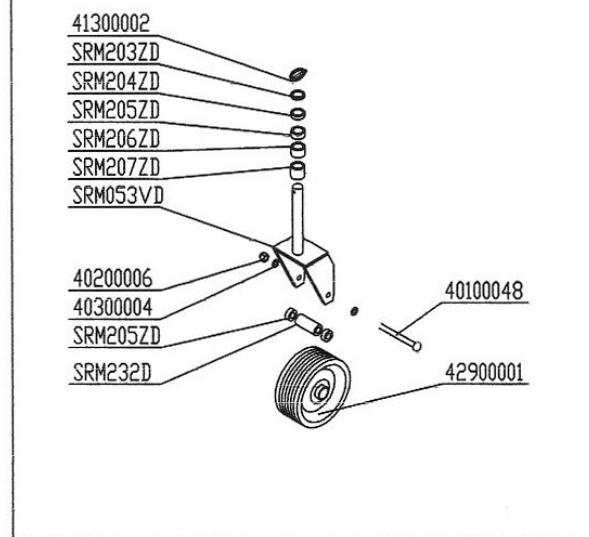
∅310 - SRM116D



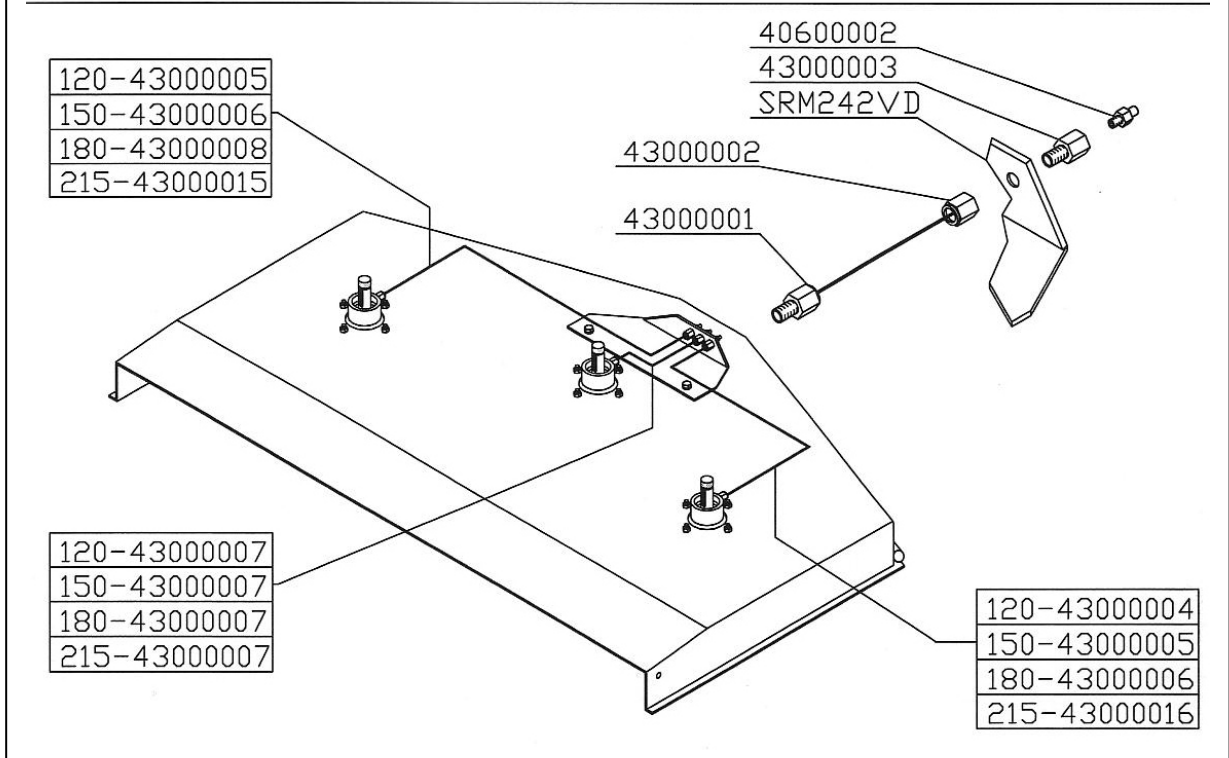
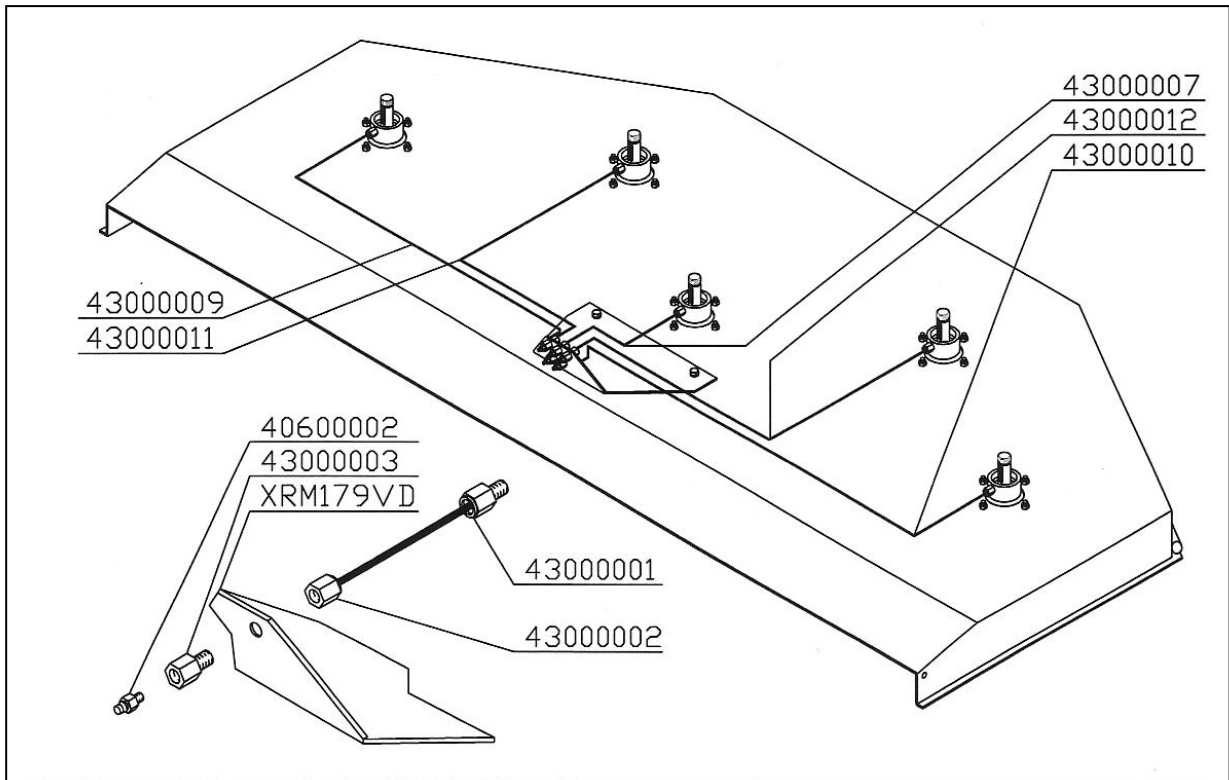
□M100D



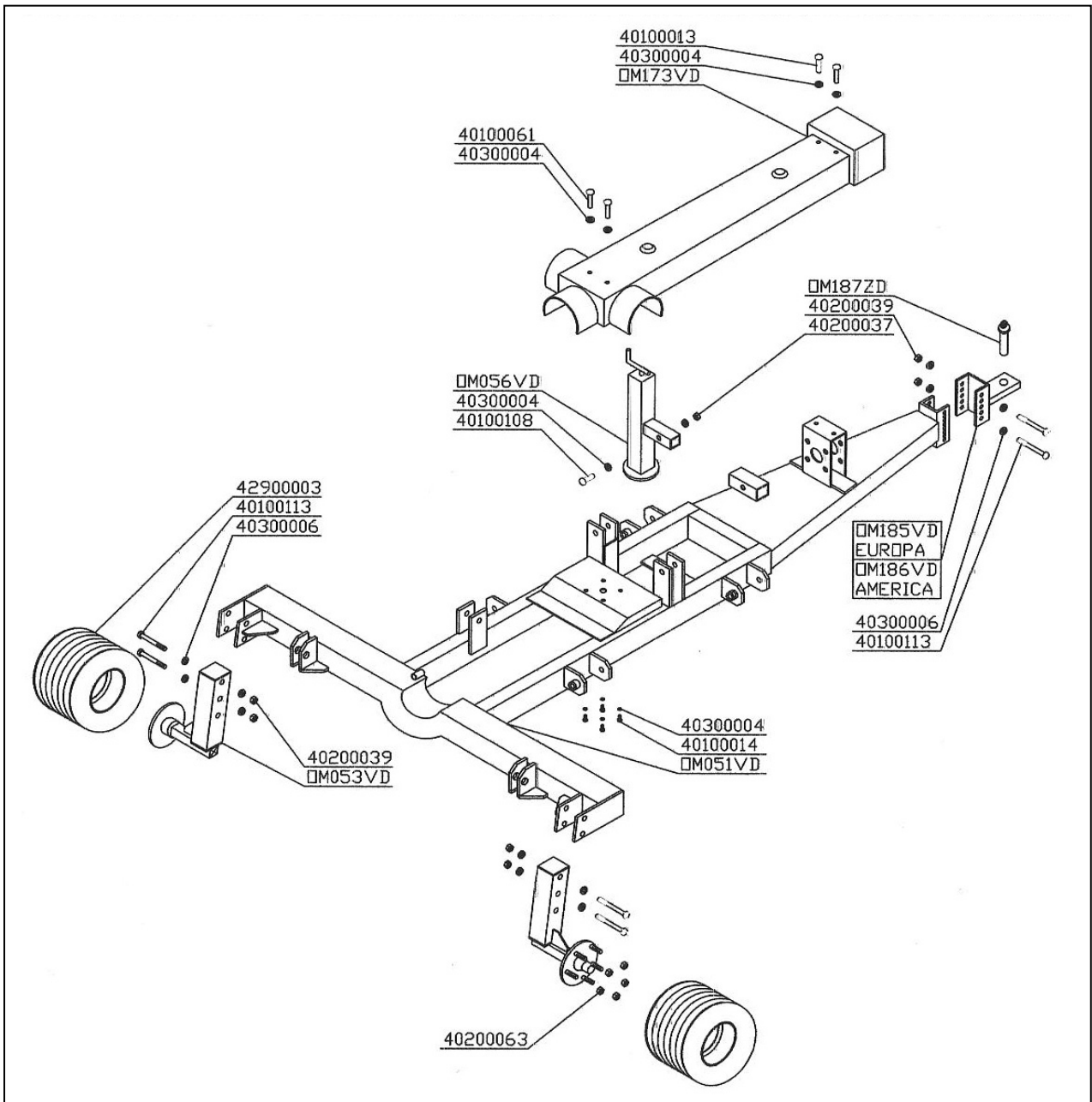
∅210 - SRM071D



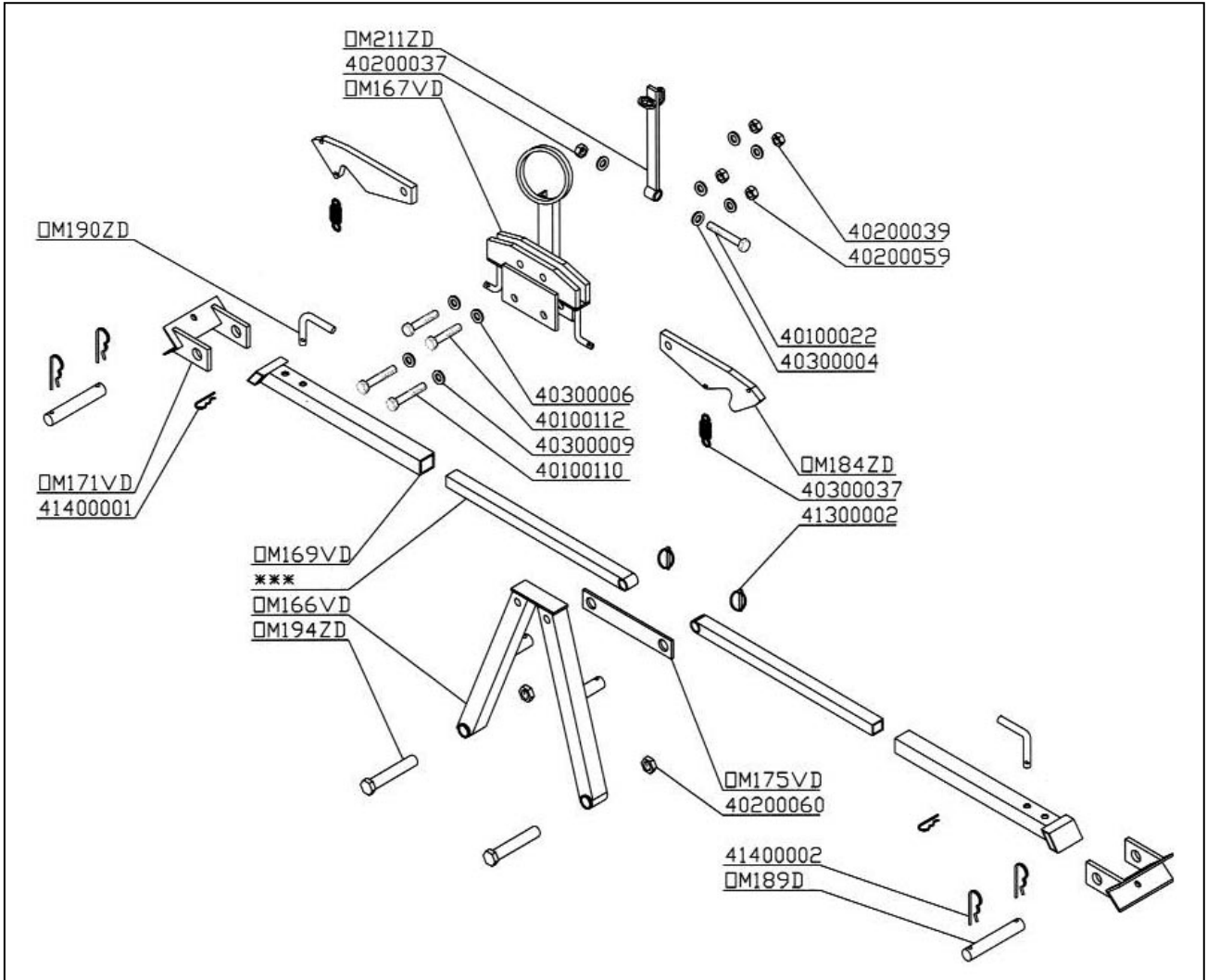
CENTRAL LUBRICATION COMPONENTS



MAIN FRAME COMPONENTS

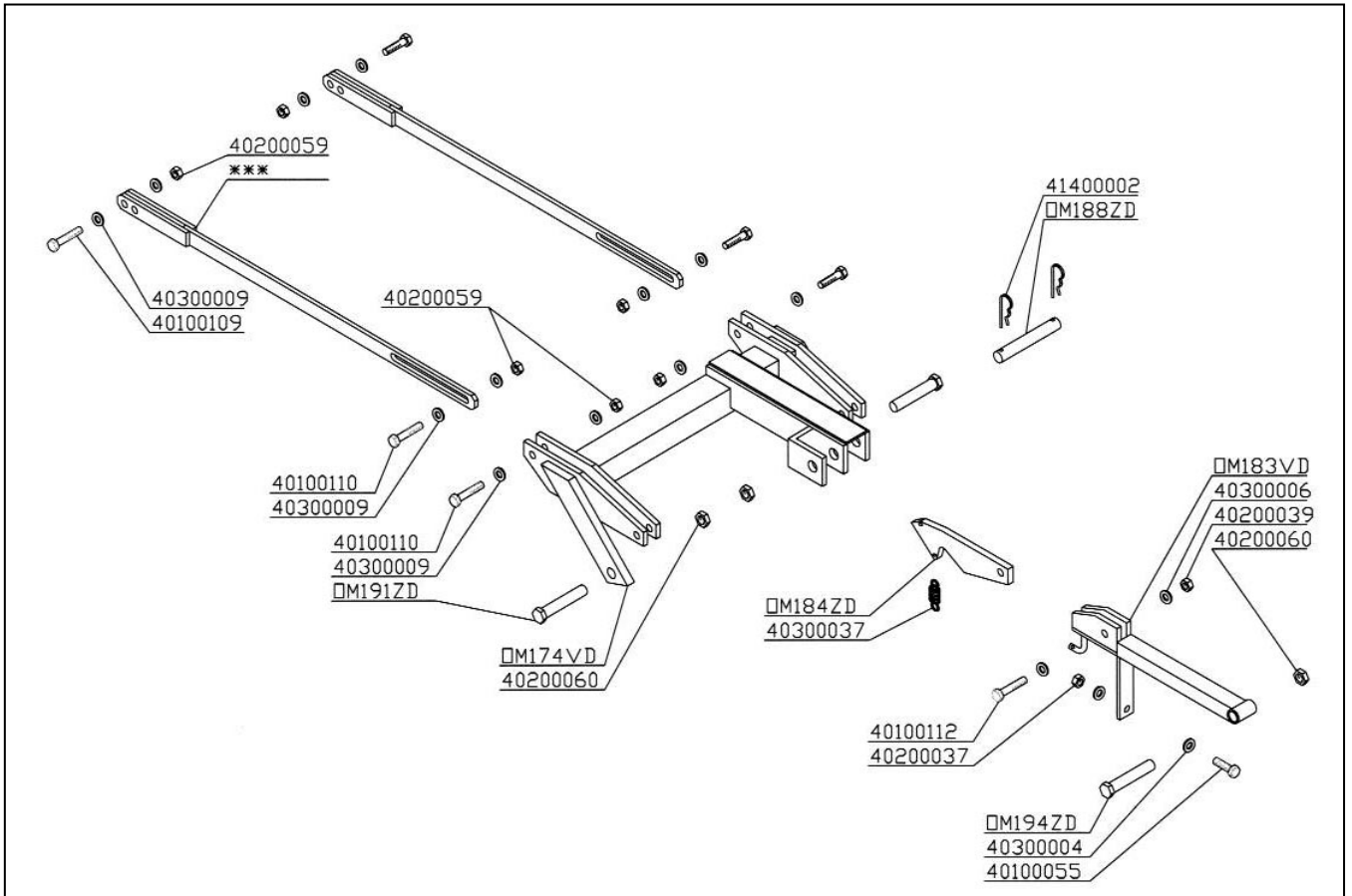


SAFETY SIDE DEVICE COMPONENTS



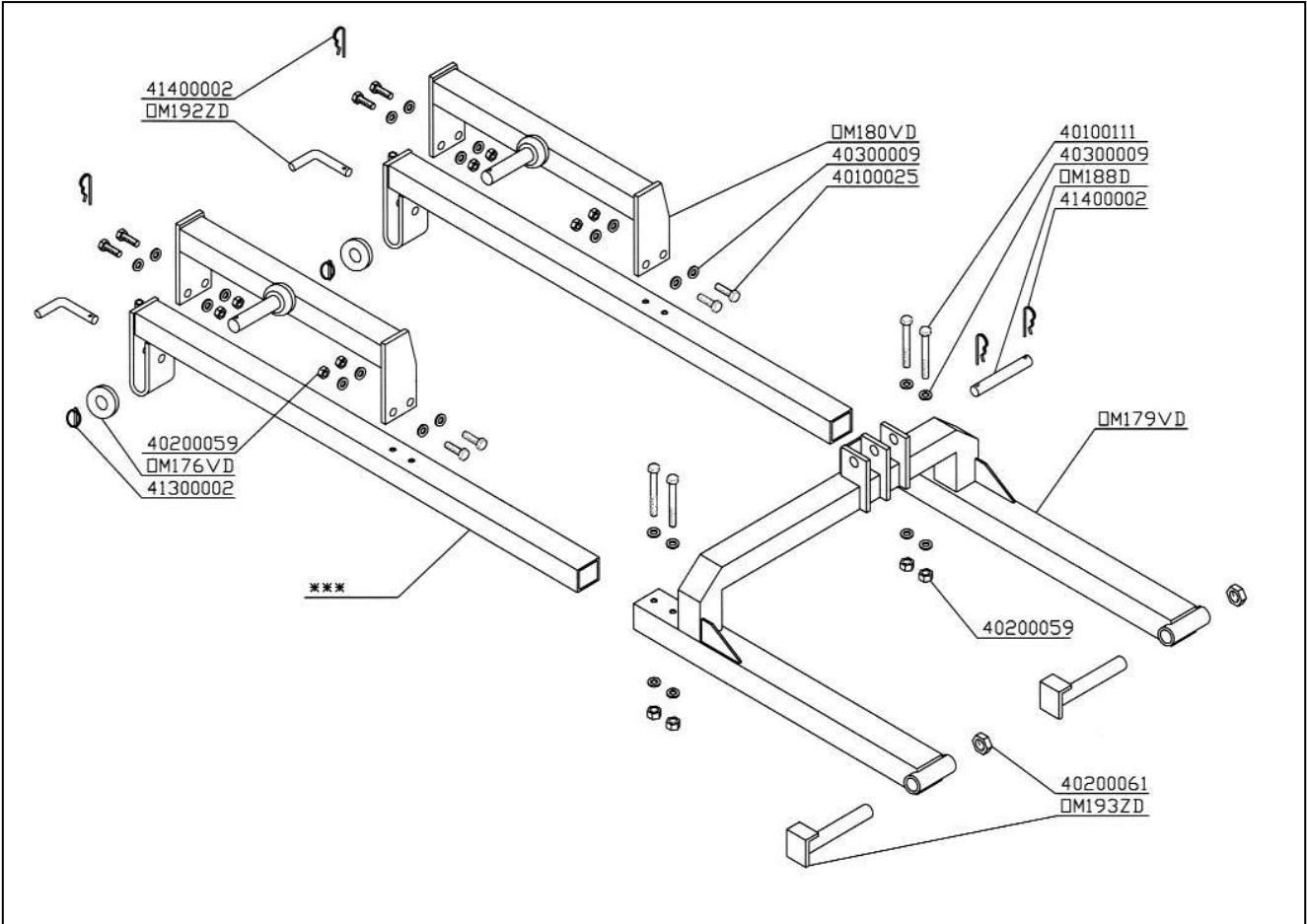
BRACKET CODE							
Bracket code	OMEGA 11	OMEGA 12	OMEGA 14	OMEGA 15	OMEGA 17	OMEGA 19	OMEGA 21
***	OM170AVD	OM170BVD	OM170BVD	OM170CVD	OM170CVD	OM170DVD	OM170EVD

REAR FRAME COMPONENTS



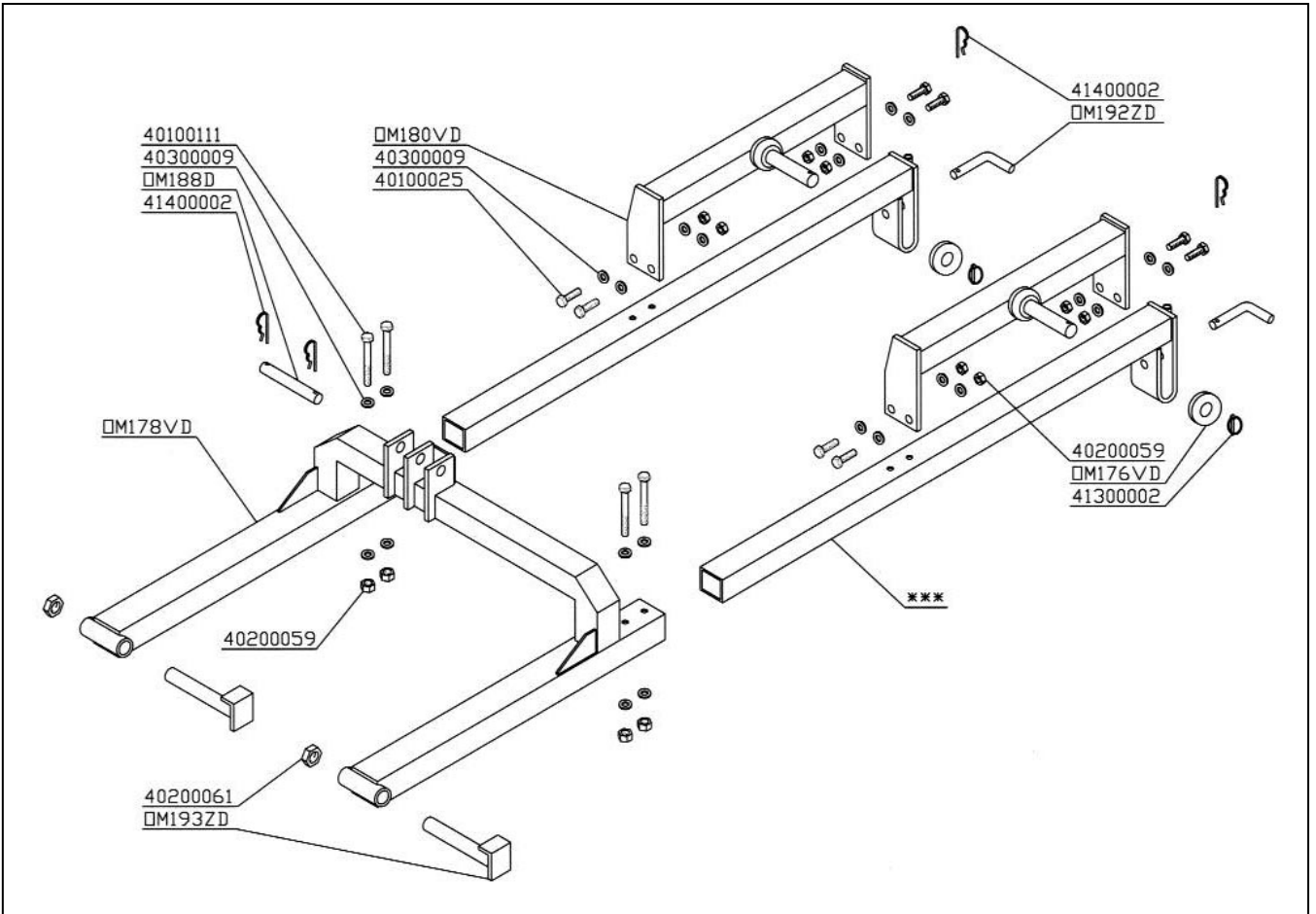
BRACKET CODE							
Bracket code	OMEGA 11	OMEGA 12	OMEGA 14	OMEGA 15	OMEGA 17	OMEGA 19	OMEGA 21
***	OM182AVD	OM182BVD	OM182BVD	OM182CVD	OM182CVD	OM182DVD	OM182DVD

LEFT SIDE FRAME COMPONENTS



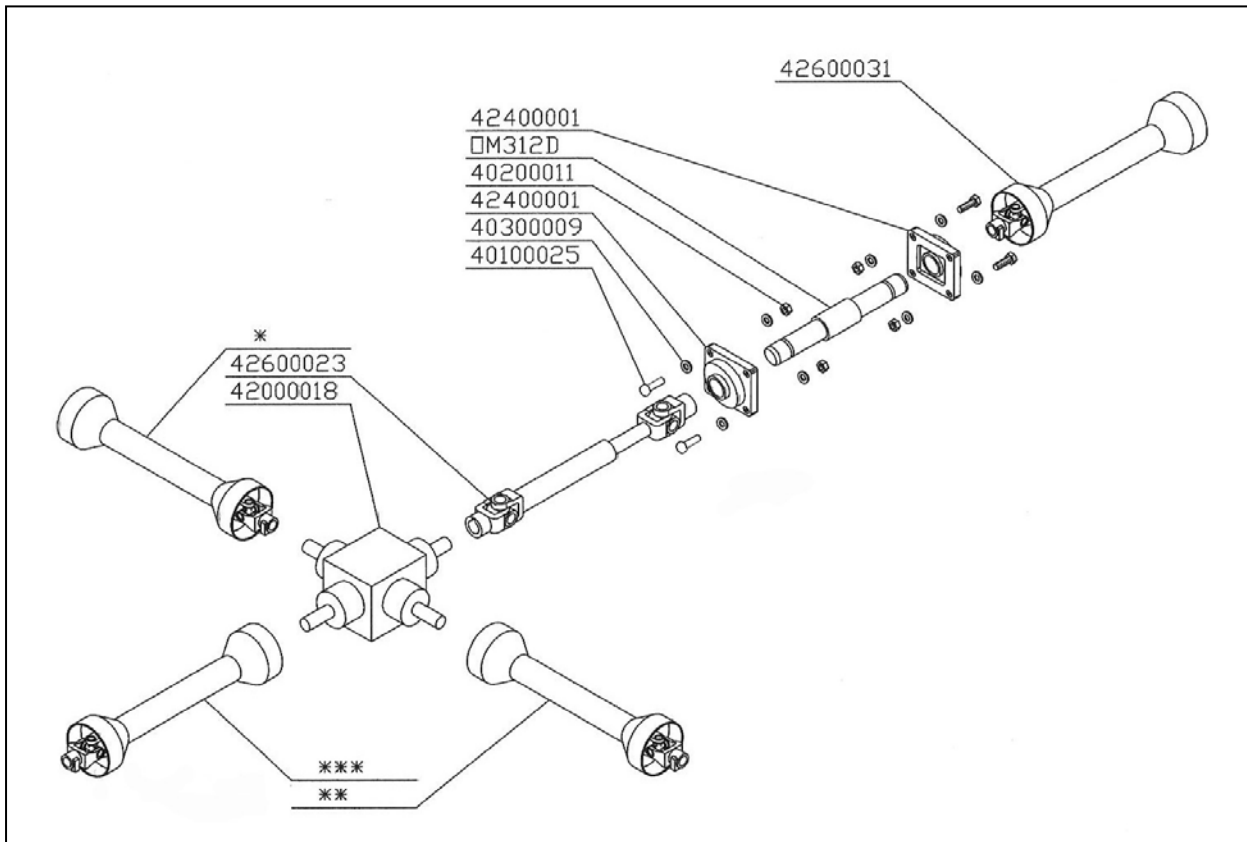
ARM CODE							
Arm code	OMEGA 11	OMEGA 12	OMEGA 14	OMEGA 15	OMEGA 17	OMEGA 19	OMEGA 21
***	OM181AVD	OM181BVD	OM181CVD	OM181DVD	OM181EVD	OM181FVD	OM181GVD

RIGHT SIDE FRAME COMPONENTS



ARM CODE							
Arm code	OMEGA 11	OMEGA 12	OMEGA 14	OMEGA 15	OMEGA 17	OMEGA 19	OMEGA 21
***	OM181AVD	OM181BVD	OM181CVD	OM181DVD	OM181EVD	OM181FVD	OM181GVD

MAIN FRAME TRANSMISSION

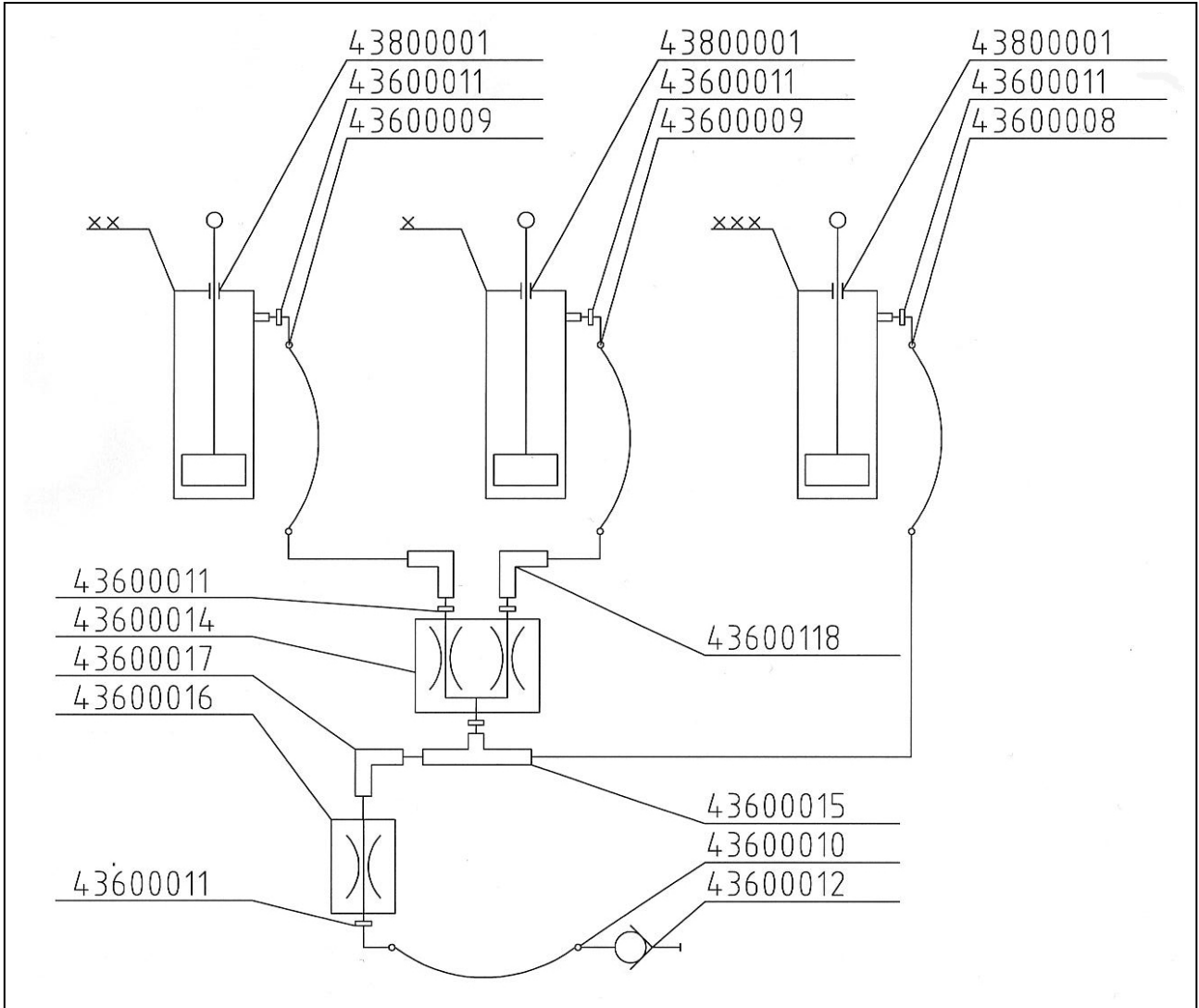


CODE FOR RIGHT SIDE – LEFT SIDE – REAR WIDE ANGLE CARDAN SHAFT MOWER WITH WHEELS Ø 210							
Cardan code	OMEGA 11	OMEGA 12	OMEGA 14	OMEGA 15	OMEGA 17	OMEGA 19	OMEGA 21
Left *	42600088	42600039	42600076	42600040	42600041	42600042	42600099
Right **	42600088	42600039	42600076	42600040	42600041	42600042	42600099
Rear ***	42600041	42600041	42600041	42600041	42600041	42600040	42600040

CODE FOR RIGHT SIDE – LEFT SIDE – REAR WIDE ANGLE CARDAN SHAFT MOWER WITH WHEELS Ø 310 E Ø 330							
Cardan code	OMEGA 11	OMEGA 12	OMEGA 14	OMEGA 15	OMEGA 17	OMEGA 19	OMEGA 21
Left *	42600088	42600039	42600076	42600040	42600041	42600042	42600099
Right **	42600088	42600039	42600076	42600040	42600041	42600042	42600099
Rear ***	42600099	42600099	42600099	42600099	42600099	42600042	42600042

NOTE : if you want that the clutch cardan shaft that connect the Omega with the tractor should be also wide angle, you must change the code 42600031 into 42600048.

HYDRAULIC PLANT COMPONENTS



- * : Left hydraulic cilinder
- ** : Right hydraulic cilinder
- *** : Rear hydraulic cilinder